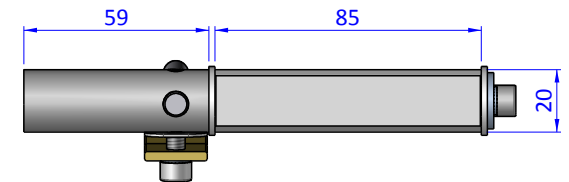
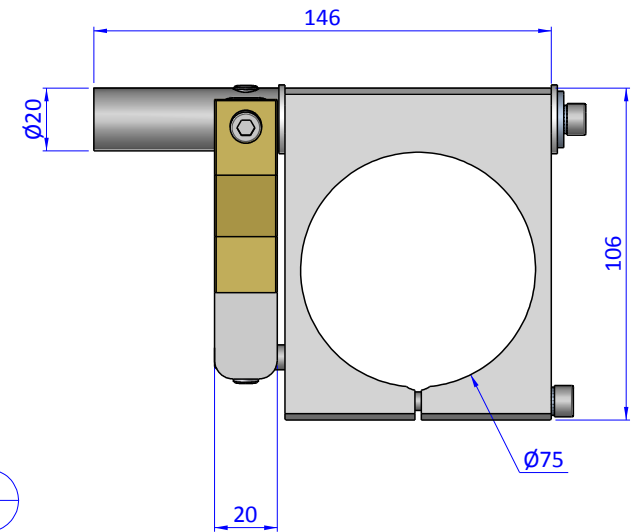
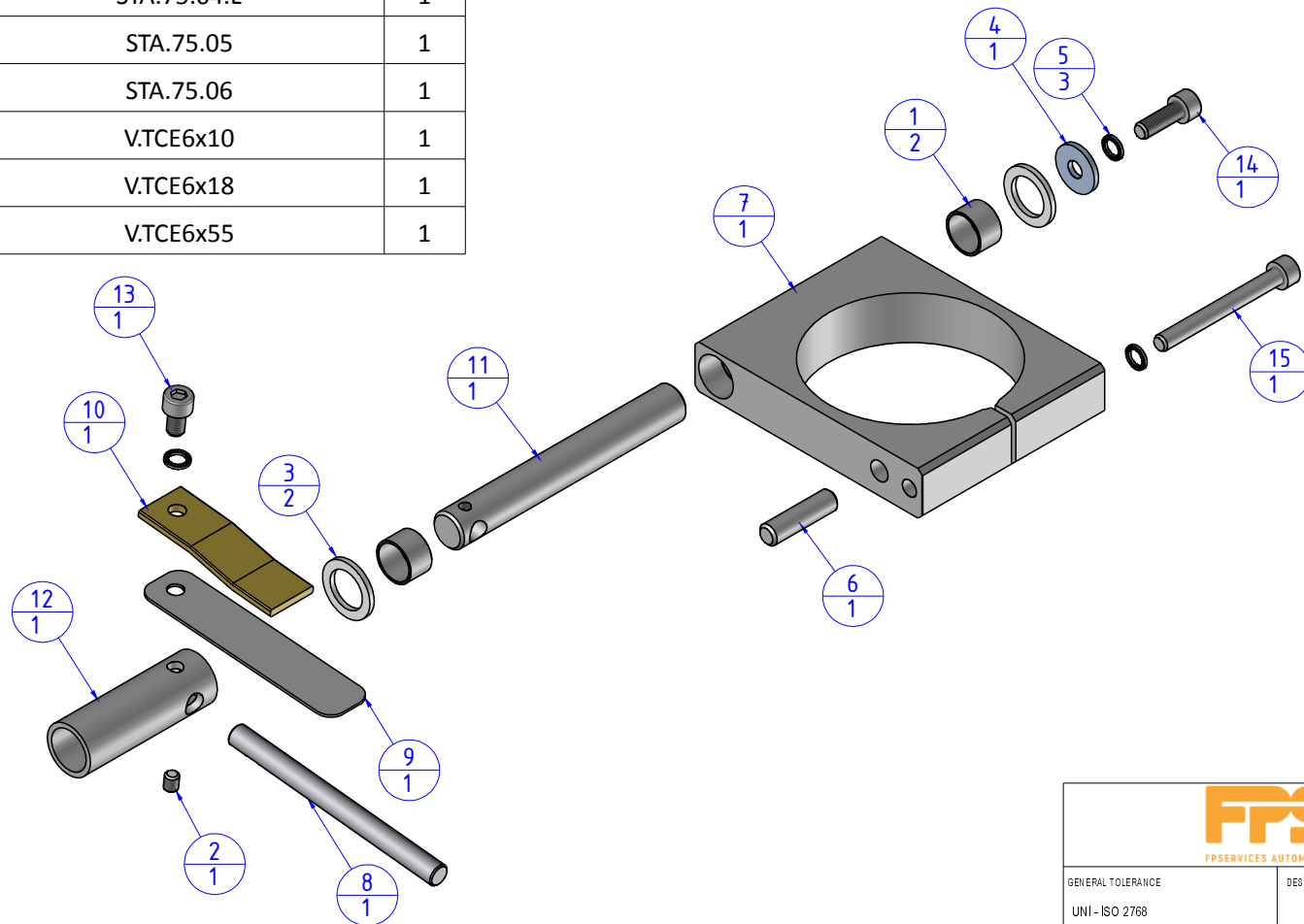



THE PROPERTY OF THE DRAWING IS ESTABLISHED BY LAW. IT IS FORBIDDEN TO PRODUCE OR SHOW IT TO THIRD PART WITHOUT A WRITTEN AGREEMENT.

| Item | Name         | Q.ty |
|------|--------------|------|
| 1    | EGB.141610   | 2    |
| 2    | GR.5X6       | 1    |
| 3    | PSP.15x22x02 | 2    |
| 4    | R.6.18       | 1    |
| 5    | R.6.SCH      | 3    |
| 6    | SP.8x30      | 1    |
| 7    | STA.75.01    | 1    |
| 8    | STA.75.02    | 1    |
| 9    | STA.75.03    | 1    |
| 10   | STA.75.04.L  | 1    |
| 11   | STA.75.05    | 1    |
| 12   | STA.75.06    | 1    |
| 13   | V.TCE6x10    | 1    |
| 14   | V.TCE6x18    | 1    |
| 15   | V.TCE6x55    | 1    |



Format A3

UNI 936-76

|                                                                                                                              |             |                |           |
|------------------------------------------------------------------------------------------------------------------------------|-------------|----------------|-----------|
| <br><b>FPS</b><br>FPSERVICES AUTOMATION |             | DESIGNED FROM  | REVIEW    |
|                                                                                                                              |             | FPS Automation | A         |
| GENERAL TOLERANCE                                                                                                            | DESCRIPTION | DATE           | WEIGHT    |
| UNI - ISO 2768                                                                                                               | CA.STA.75   | 16/05/2019     | 0,447kg   |
| CLASSE F                                                                                                                     |             | CODE           | CA.STA.75 |